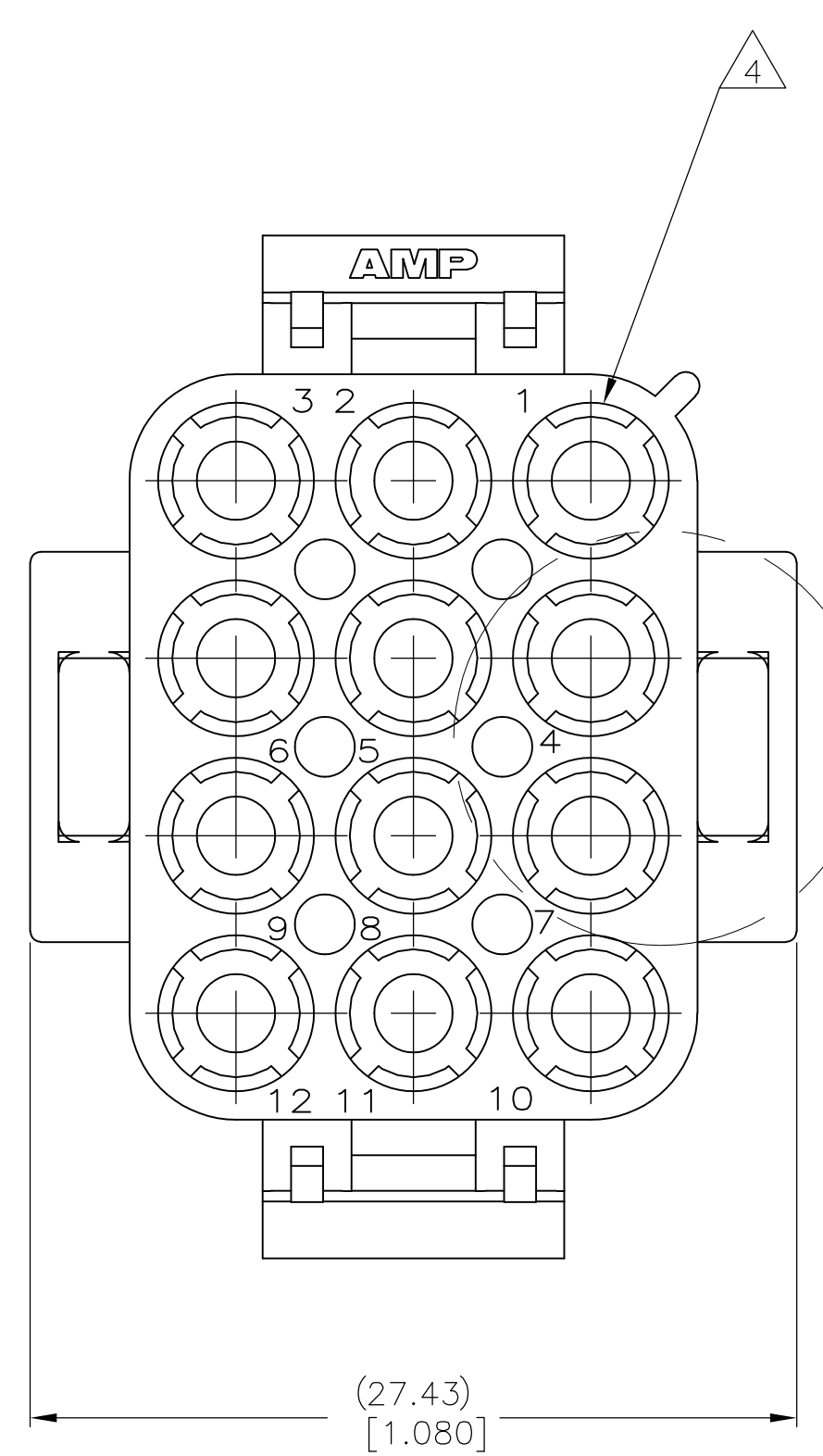
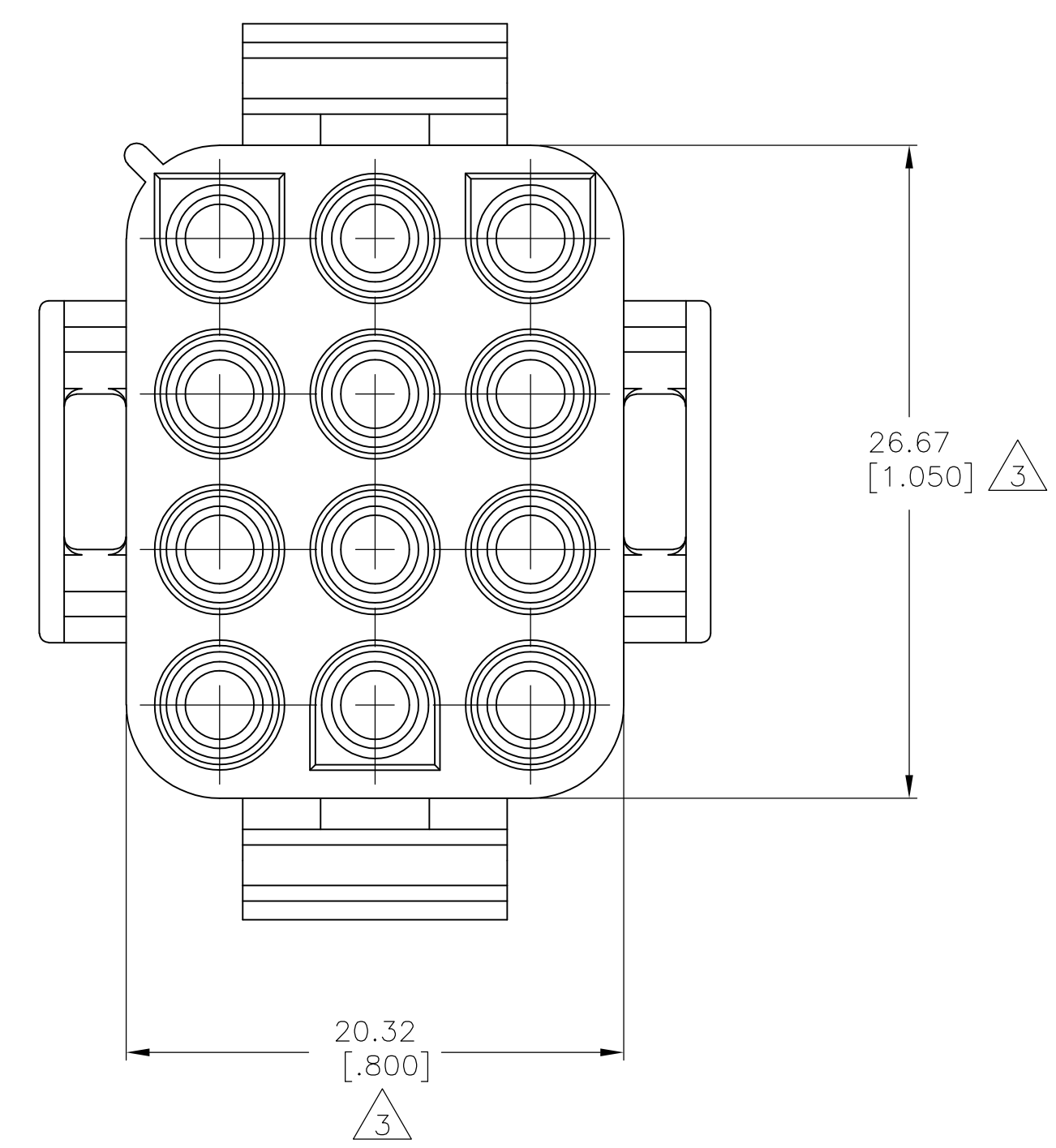
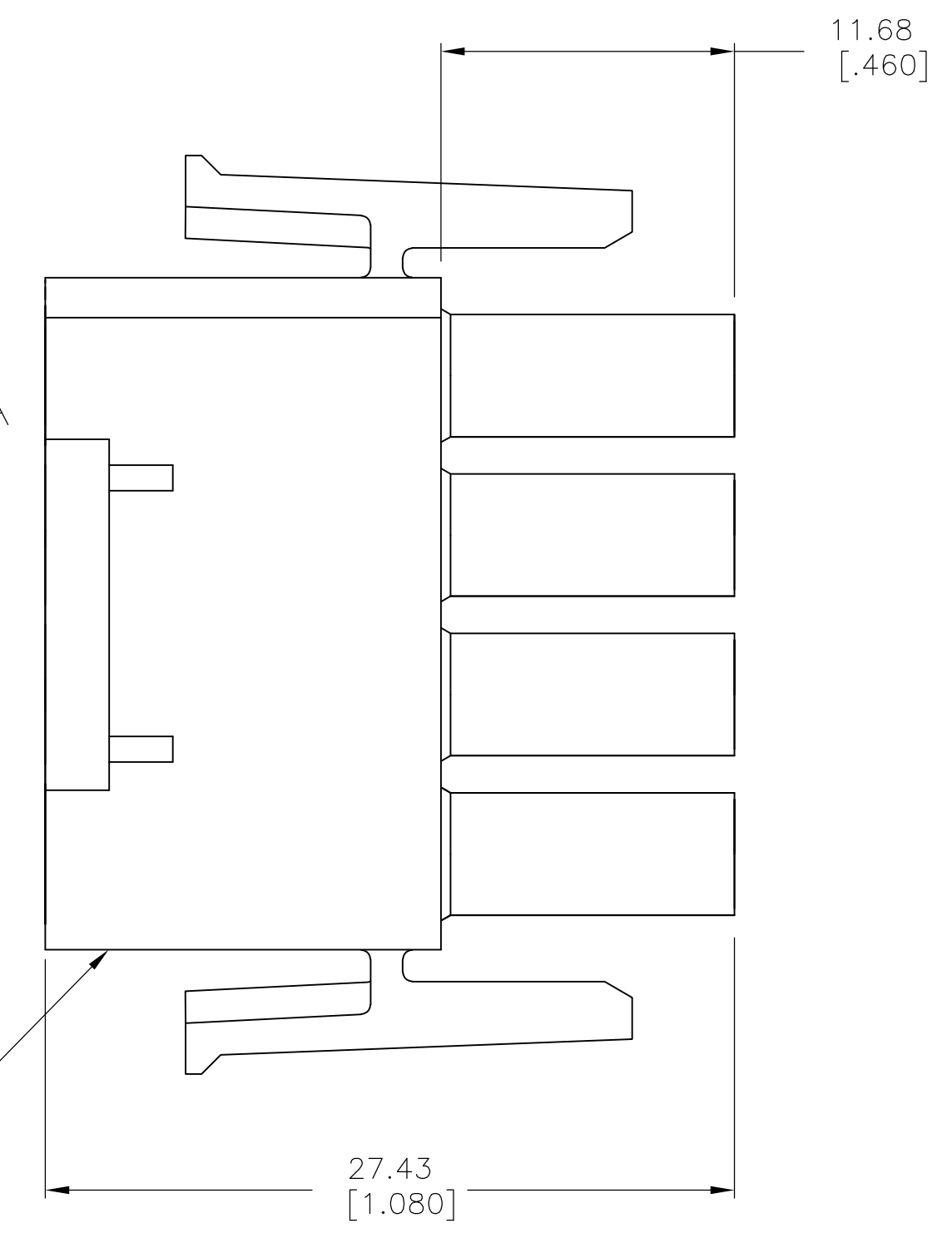


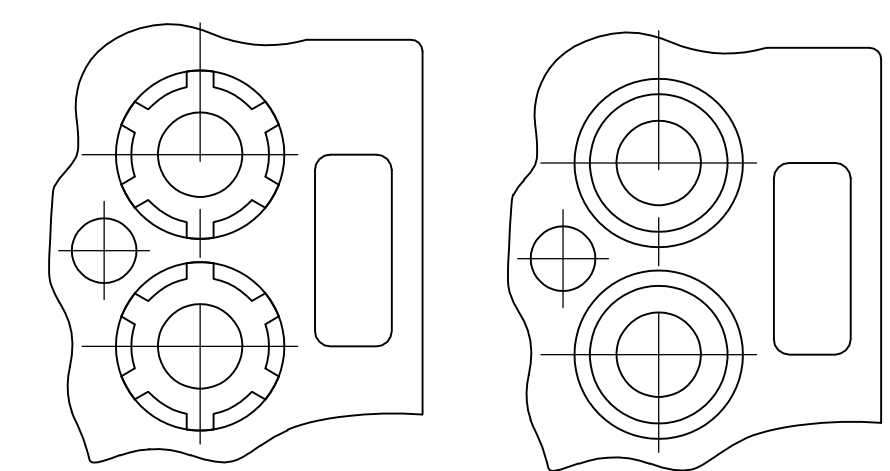
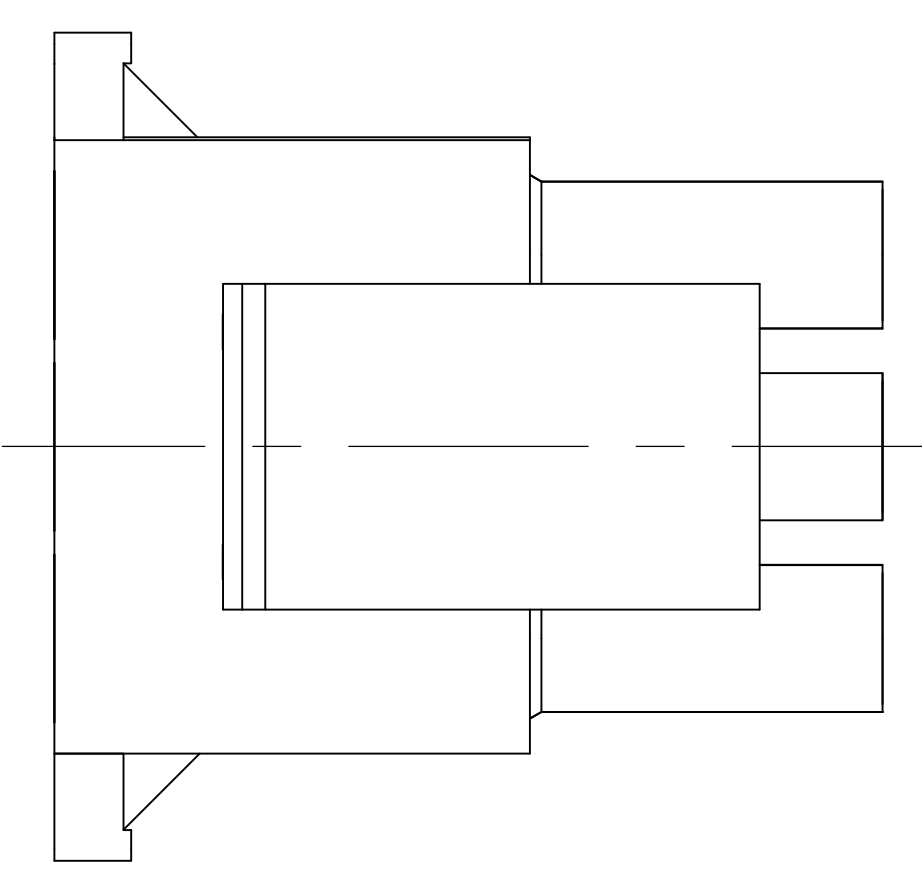
LOC		DIST		REVISIONS			
AP	REVISED PER	ECO-08-017443	DATE	23JUL08	HMR	DC	
CM	00						



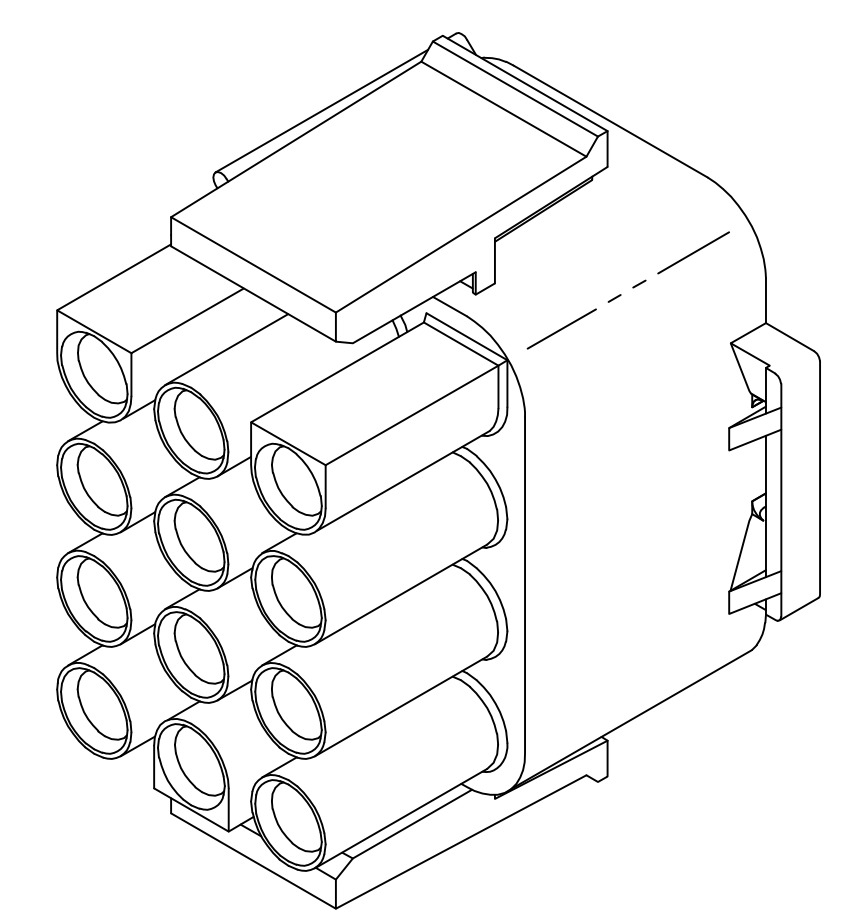
SEE DETAIL A



- 1 MATES WITH APPROPRIATE UNIVERSAL MATE-N-LOK™ CAP OR HEADER.
- 2 SMALL NICKS ARE PERMITTED ON THE CIRCUIT TOWERS WHICH COULD INCREASE THE INITIAL HOUSING MATING FORCE BY UP TO 4.4 NEWTONS [1.0 LBS]. NO INDIVIDUAL NICKED TOWER SHALL INCREASE THIS FORCE BY OVER 2.2 NEWTONS [.5 LBS].
- 3 DIMENSION INDICATED IS AS MOLDED. ADDITIONAL GROWTH DUE TO SUBSEQUENT MOISTURE ABSORPTION MAY OCCUR.
- 4 FOUR RIBS EQUALLY SPACED, NO SPECIFIC ORIENTATION. NO RIBS OR SIX RIBS EQUALLY SPACED, NO SPECIFIC ORIENTATION, OPTIONAL.
- 5 UNDERWRITERS RECOGNIZED COMPONENT LOGO AND CSA CERTIFICATION LOGO TO BE LOCATED ONCE EACH ON SIDE OF HOUSING.



DETAIL A
OPTIONAL CONSTRUCTION



3-DIMENSIONAL MODEL
NTS

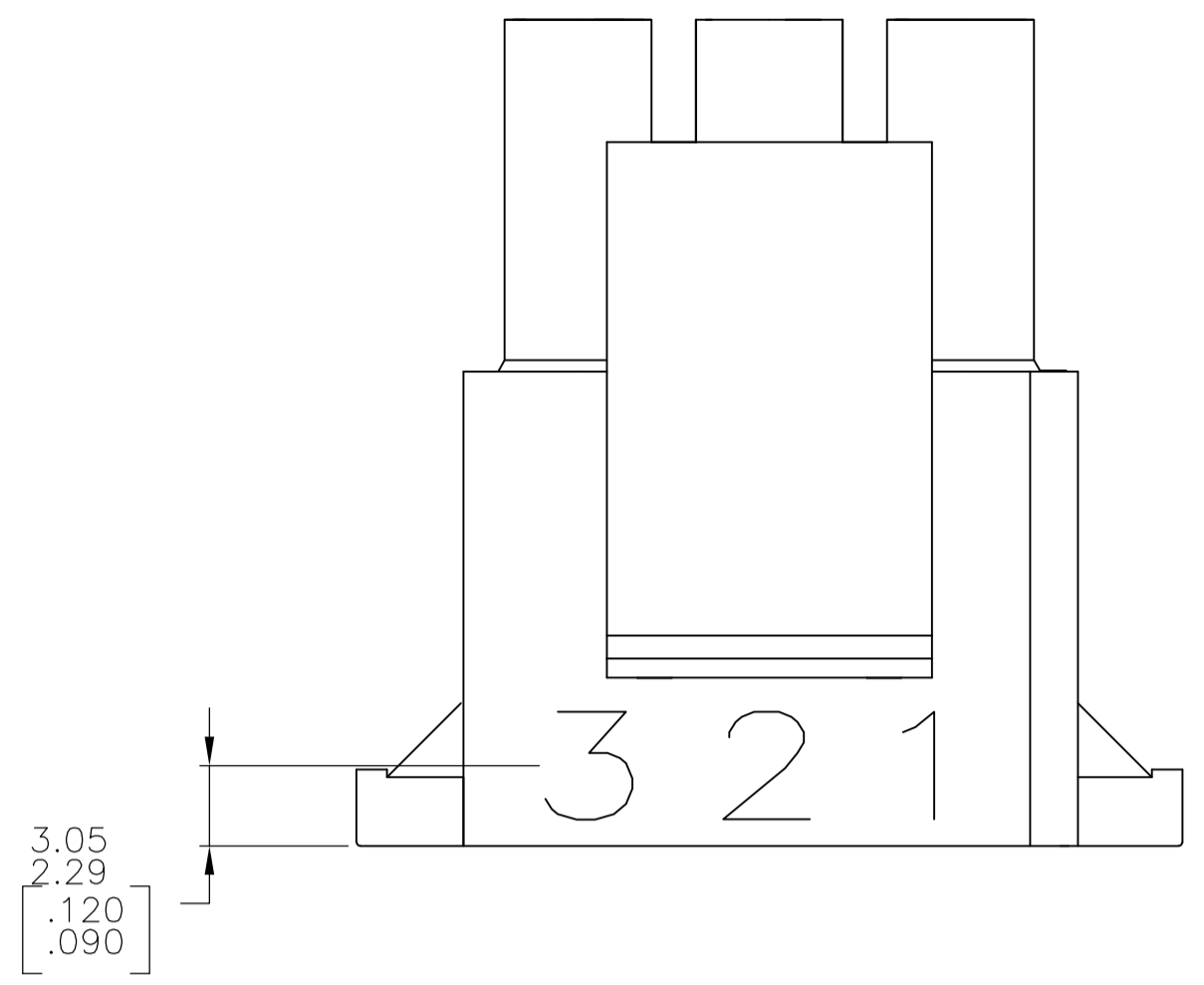
BLACK	1-480708-9
GREY	1-480708-8
BLUE	1-480708-6
GREEN	1-480708-5
YELLOW	1-480708-4
ORANGE	1-480708-3
RED	1-480708-2
BROWN	1-480708-1
NATURAL	1-480708-0
COLOR	PART NO.

THIS DRAWING IS A CONTROLLED DOCUMENT.

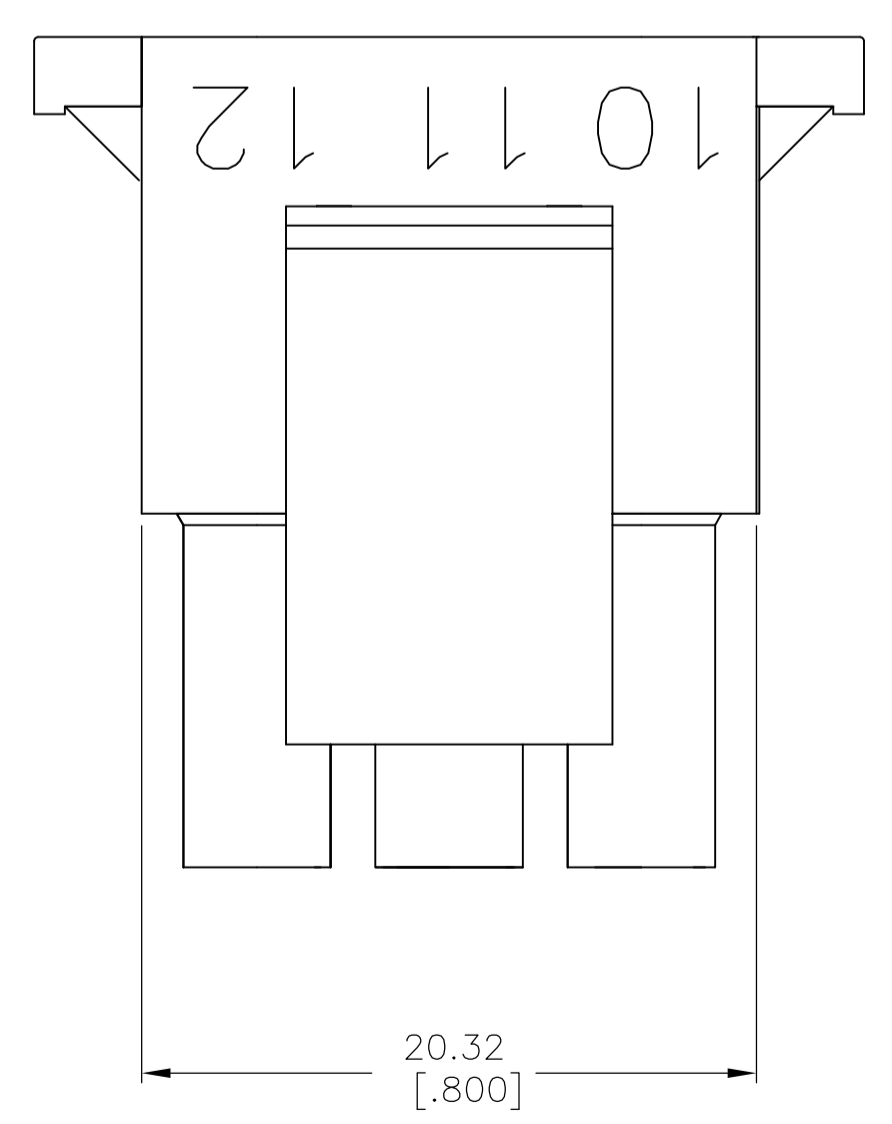
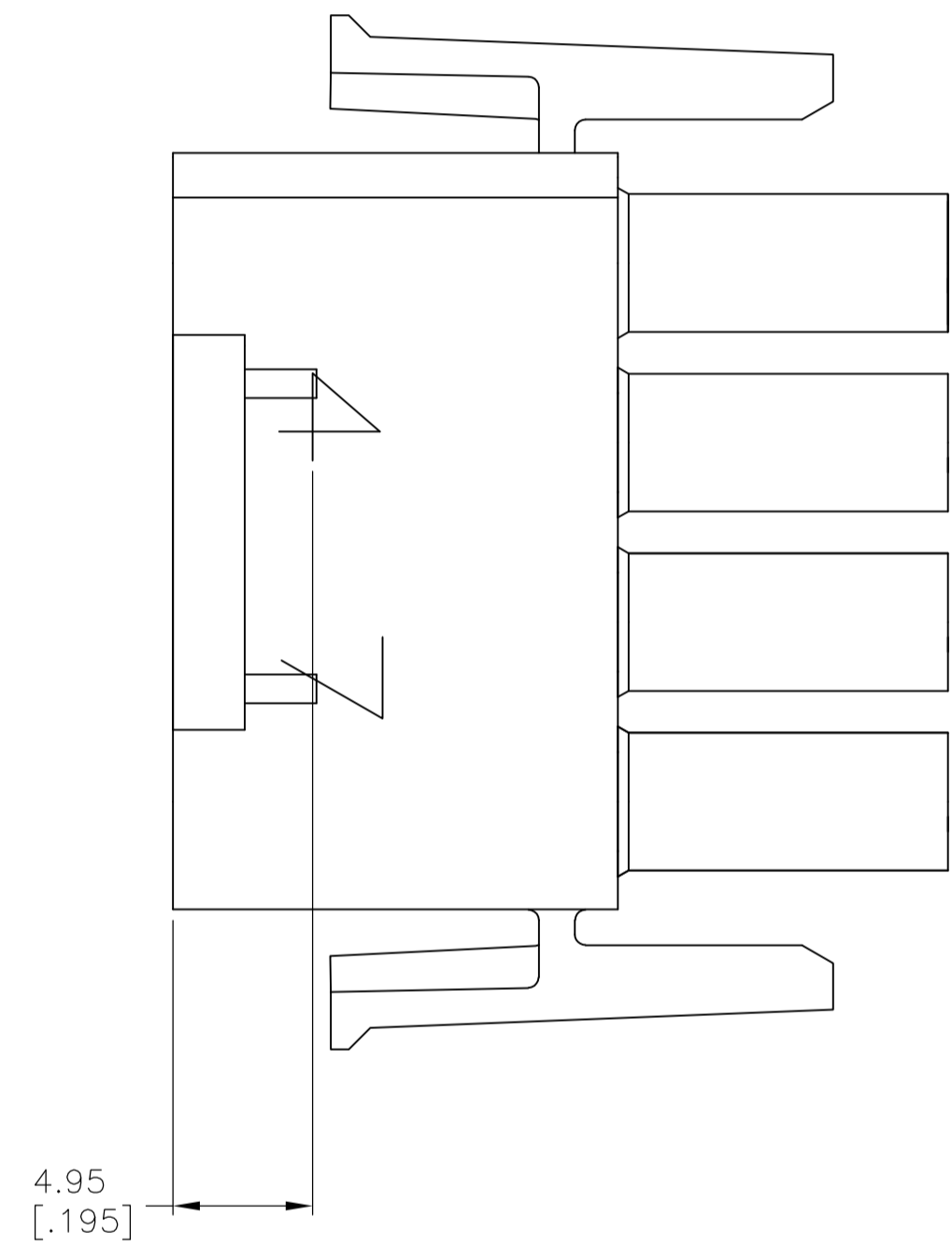
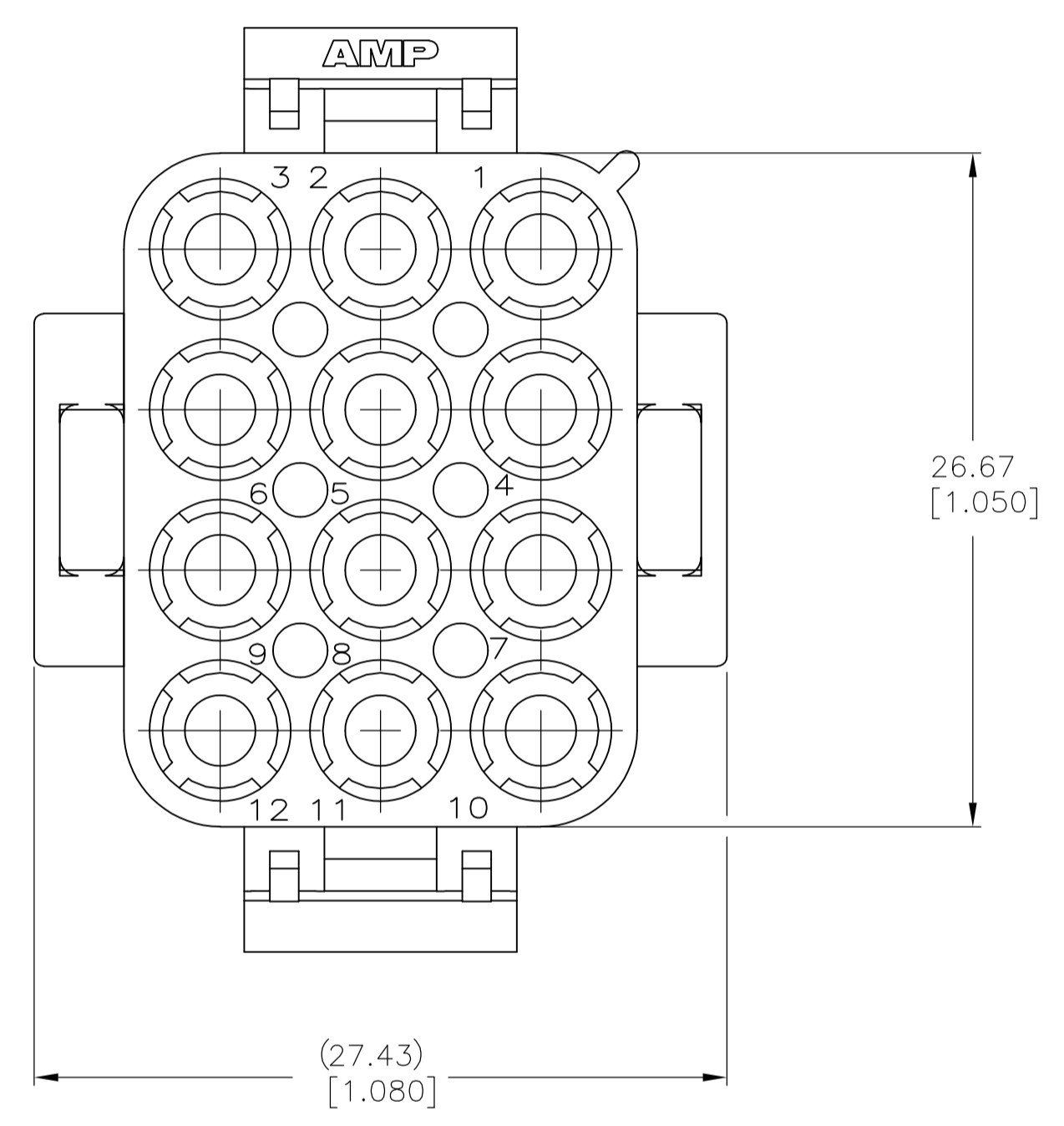
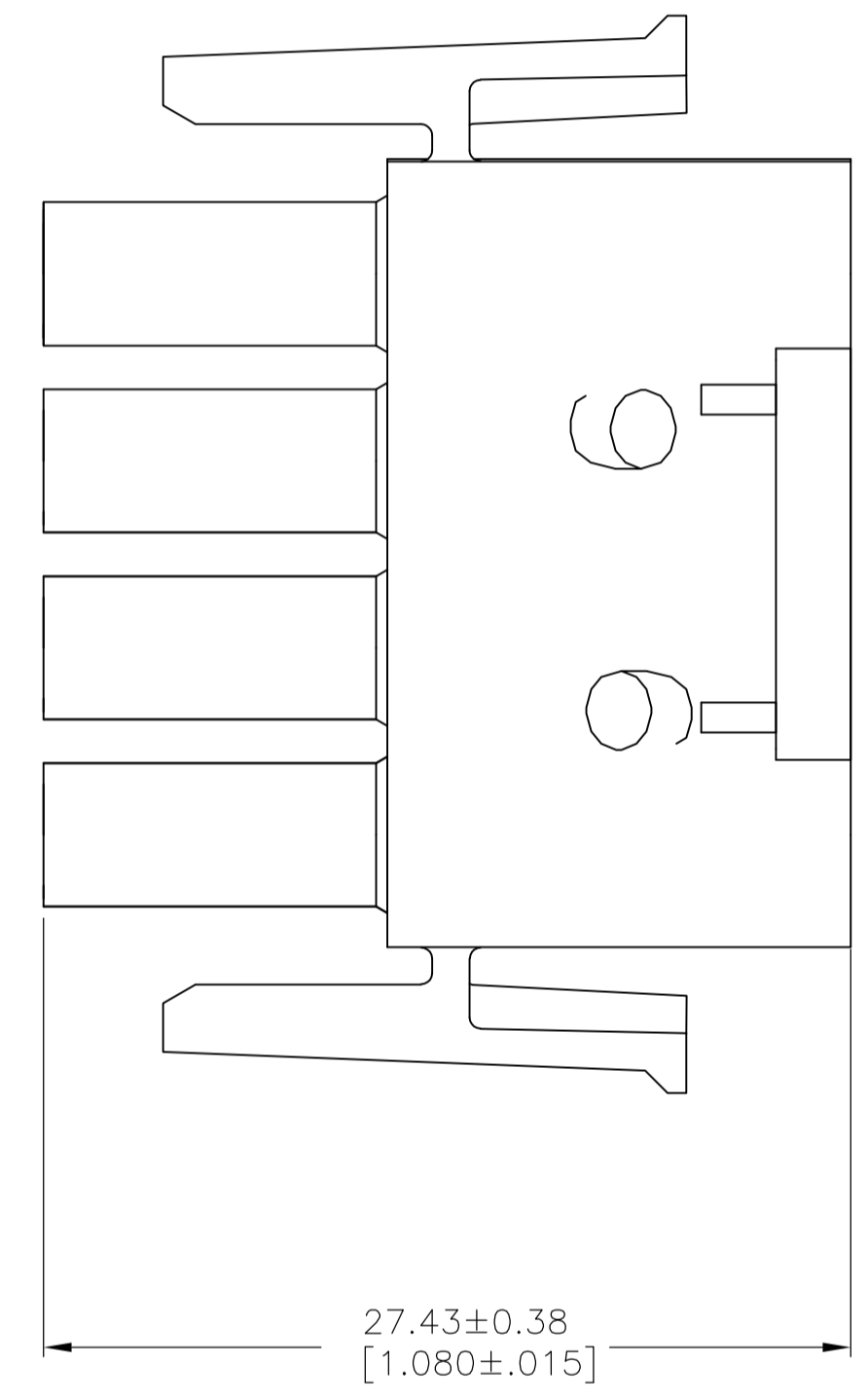
DIMENSIONS: mm [INCHES]	TOLERANCES UNLESS OTHERWISE SPECIFIED:	DWN K. WHITAKER 01SEP04	APPROVED S. RIDGILL 01SEP04	NAME S. RIDGILL	Tyco Electronics Corporation Harrisburg, PA 17105-3608
0 PLC ± -	1 PLC ± -	PRODUCT SPEC	APPLICATION SPEC	SIZE A1	CAGE CODE 00779
2 PLC ± 0.13 [005]	3 PLC ± -	WEIGHT	RESTRICTED TO	SCALE 4:1	SHEET 1 OF 2
4 PLC ± -	ANGLES ± 0°30'	CUSTOMER DRAWING	REV AP		
MATERIAL NYLON, UL 94V-2	FINISH				



LOC	DIST	REVISIONS			
CM	00	REV	DATE	BY	APPV
		1	SEE SHEET 1		



- 1 STAMP NUMBERS 3.18 HIGH AT WIRE END OF HOUSING (12 POINT DAVID TYPE).
- 2 CHARACTERS TO BE POSITIONED ON HOUSING TO BE READ FROM WIRE END ONLY.
- 3 VIOLET, BLACK, BROWN, AND BLUE COLORED BLOCKS TO BE STAMPED WITH WHITE CHARACTERS. ALL OTHER COLORED BLOCKS TO BE STAMPED WITH BLACK CHARACTERS.



METRIC

NATURAL COLOR	2-480708-0 PART NUMBER
---------------	------------------------

THIS DRAWING IS A CONTROLLED DOCUMENT.		DIN K. WHITAKER 01SEP04 CHK S. RIDGILL 01SEP04 APVD S. RIDGILL 01SEP04		Tyco Electronics Corporation Harrisburg, PA 17105-3608	
DIMENSIONS: mm [INCHES]		TOLERANCES UNLESS OTHERWISE SPECIFIED:		Tyco Electronics	
0. PLC ± -		1. PLC ± -		NAME PLUG, 12 CIRCUIT, UNIVERSAL MATE-N-LOK	
2. PLC ± 0.13 [0.005]		3. PLC ± -		SIZE CAGE CODE DRAWING NO	
4. PLC ± -		ANGLES ± 0.30°		A1 00779 C=480708	
MATERIAL NYLON, UL 94V-2		FINISH -		RESTRICTED TO	
		WEIGHT -		CUSTOMER DRAWING	
		SCALE 4:1		SHEET 2 OF 2	
				REV AP	